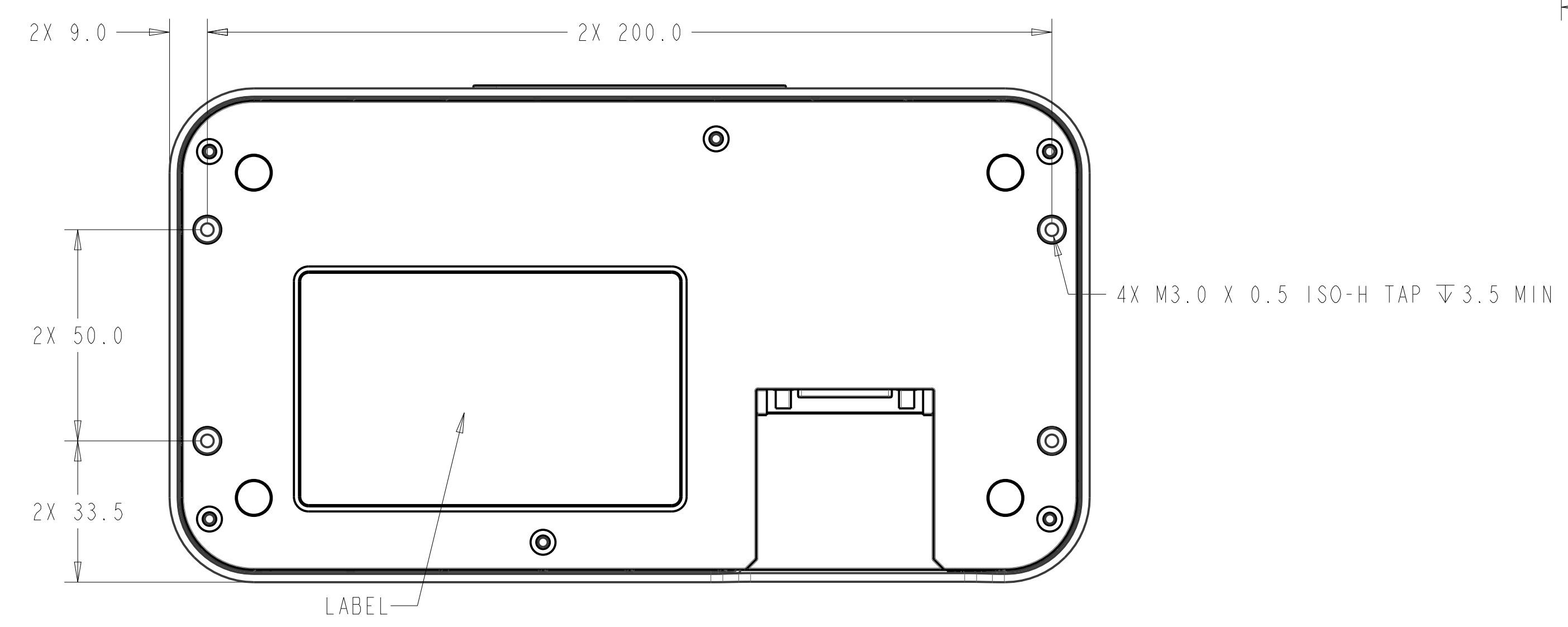
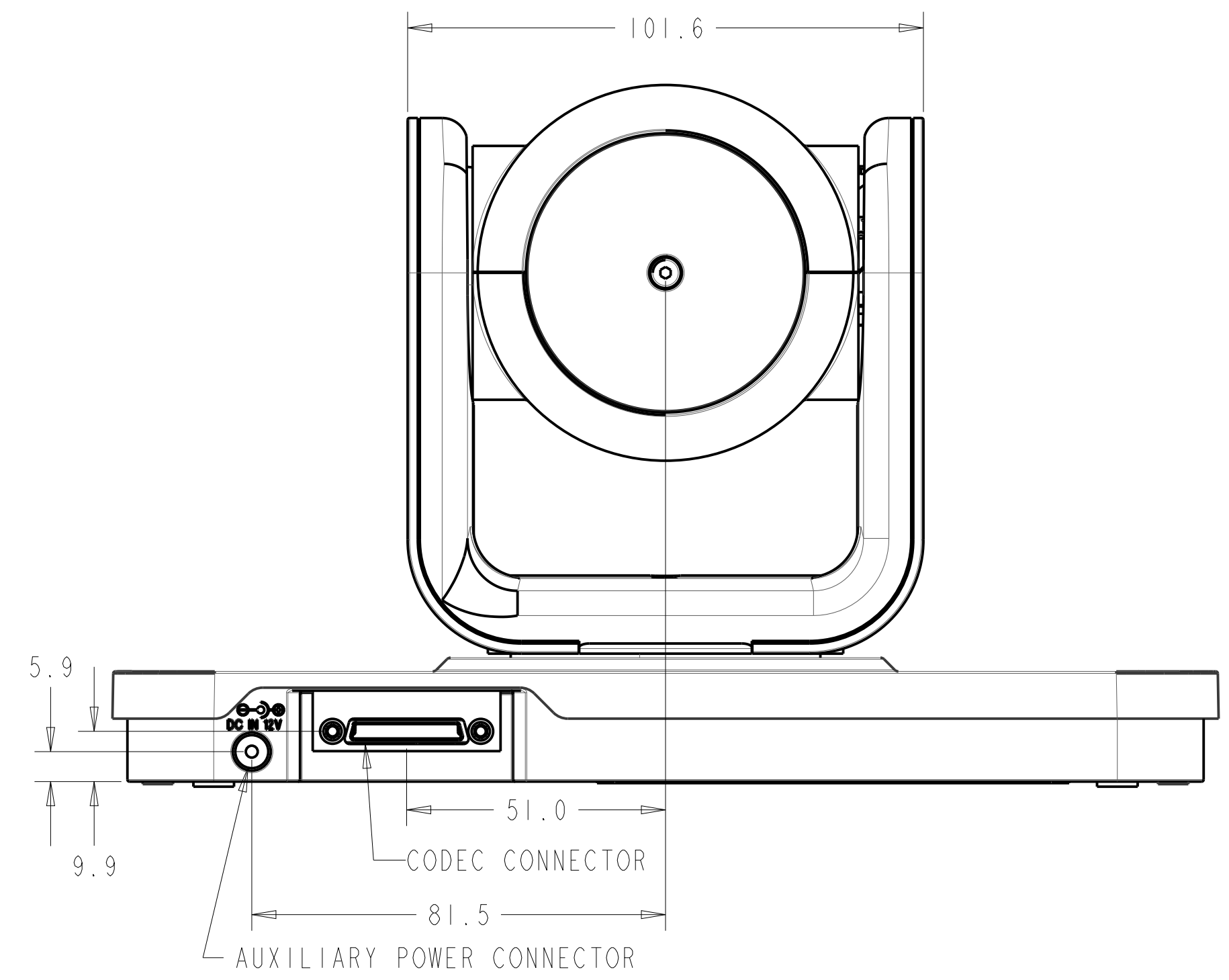
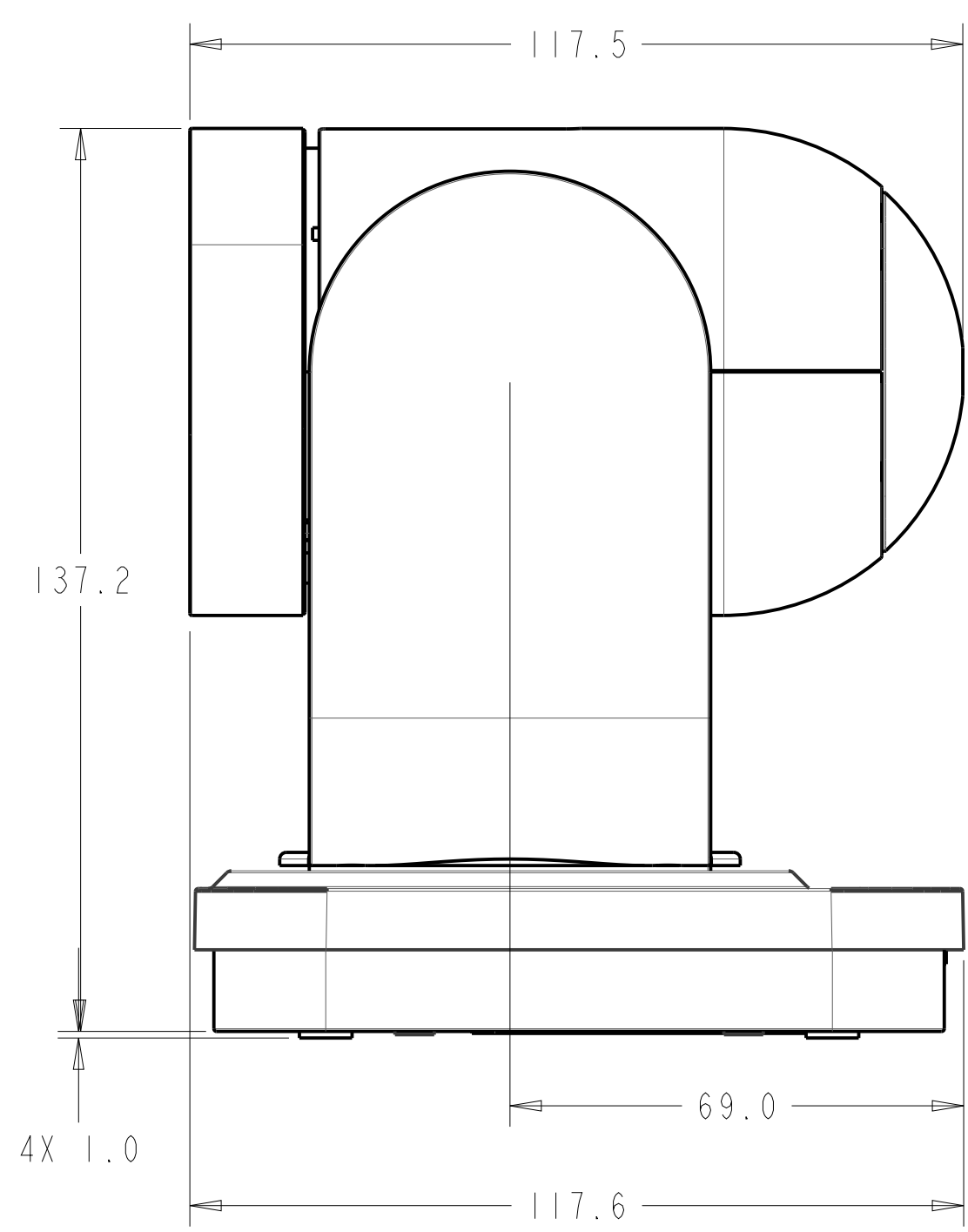
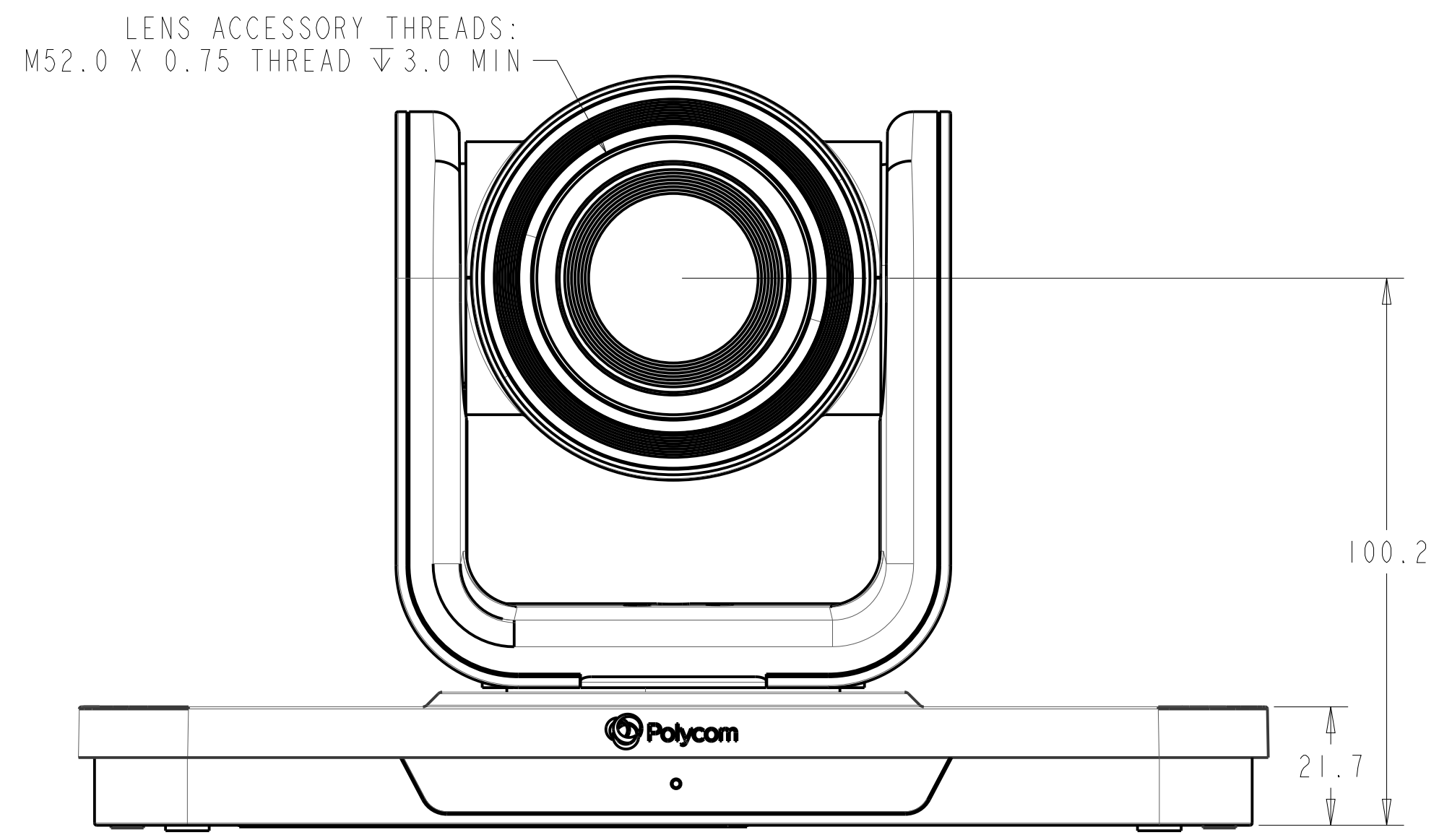
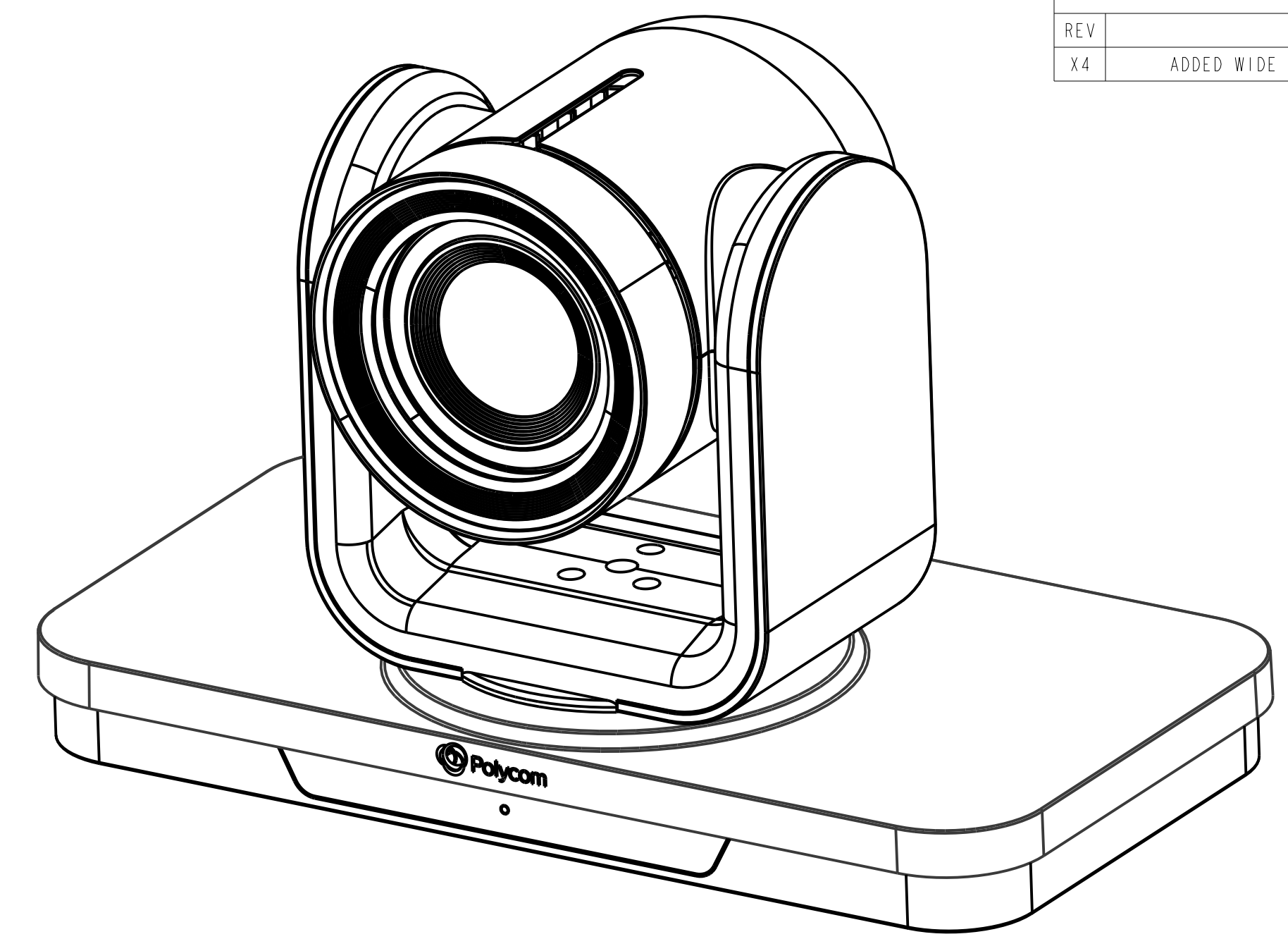
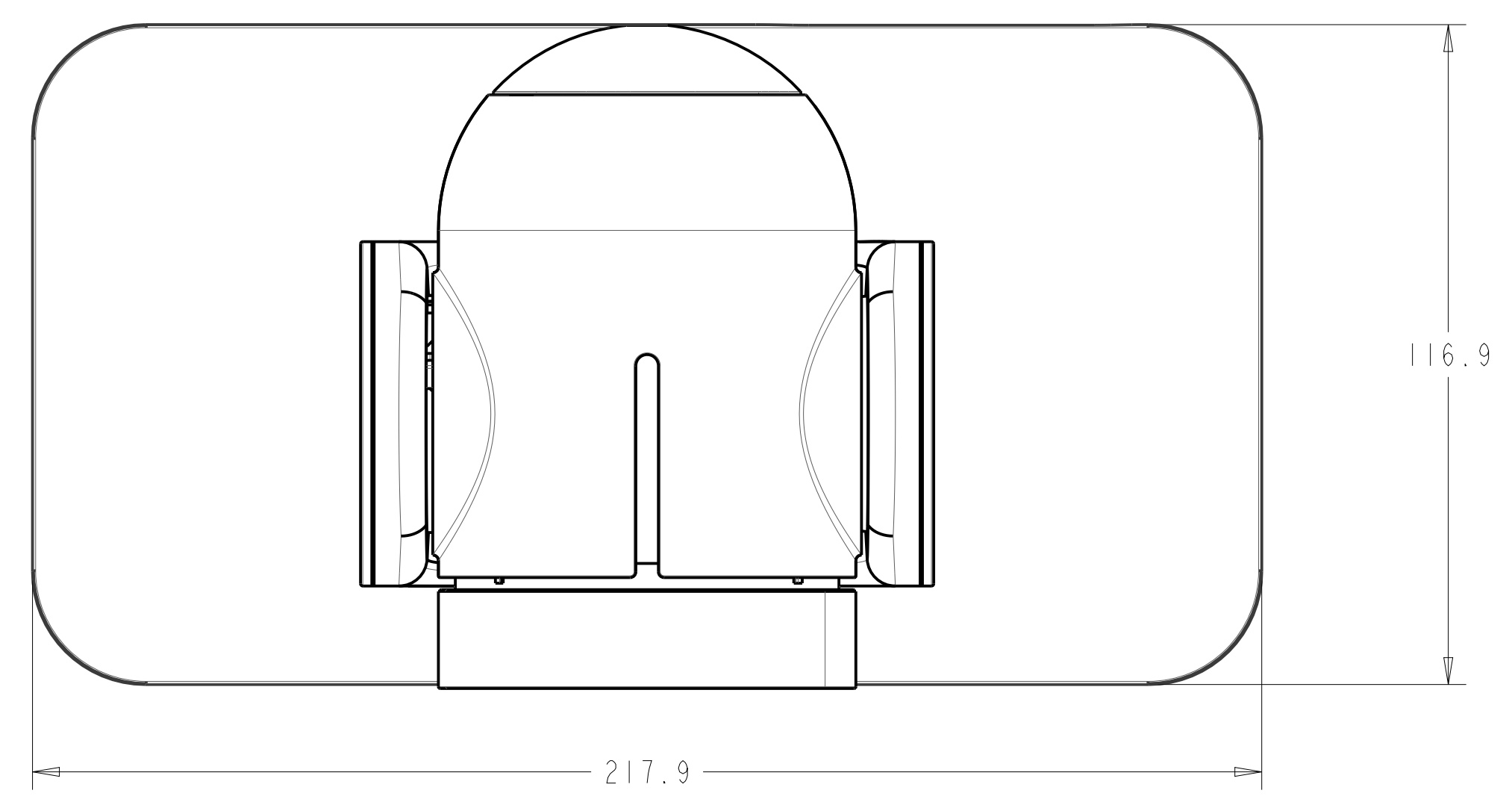


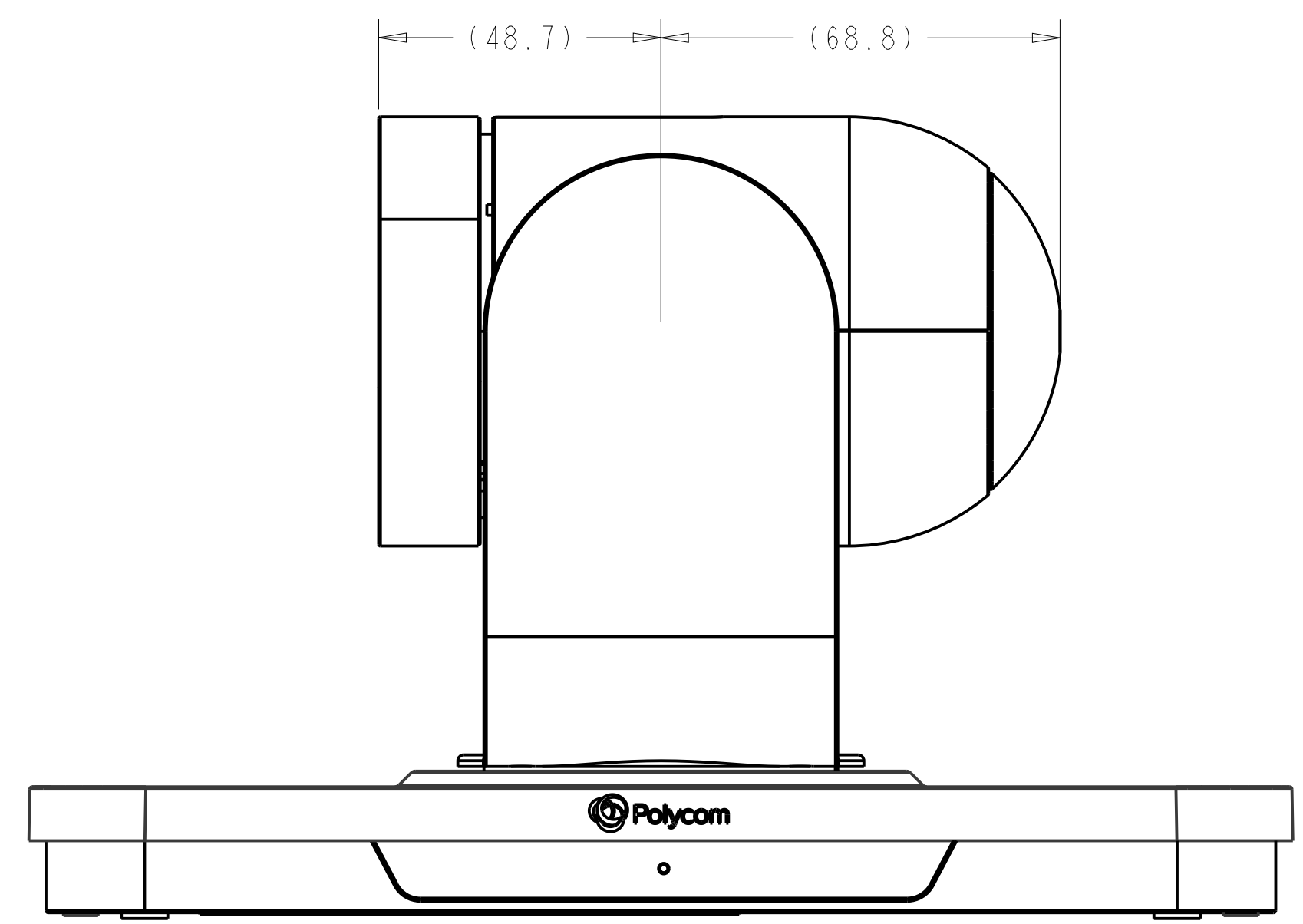
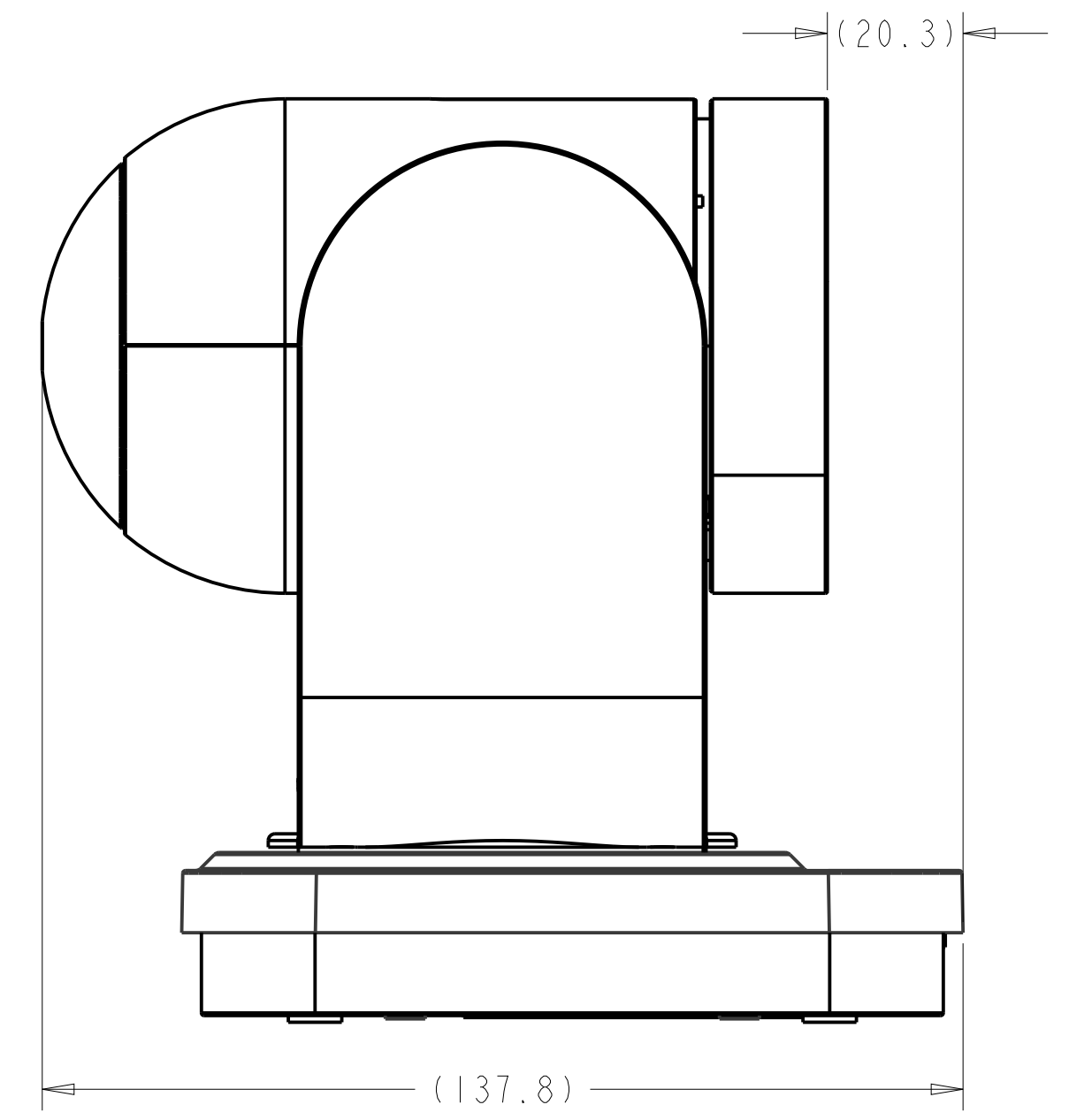
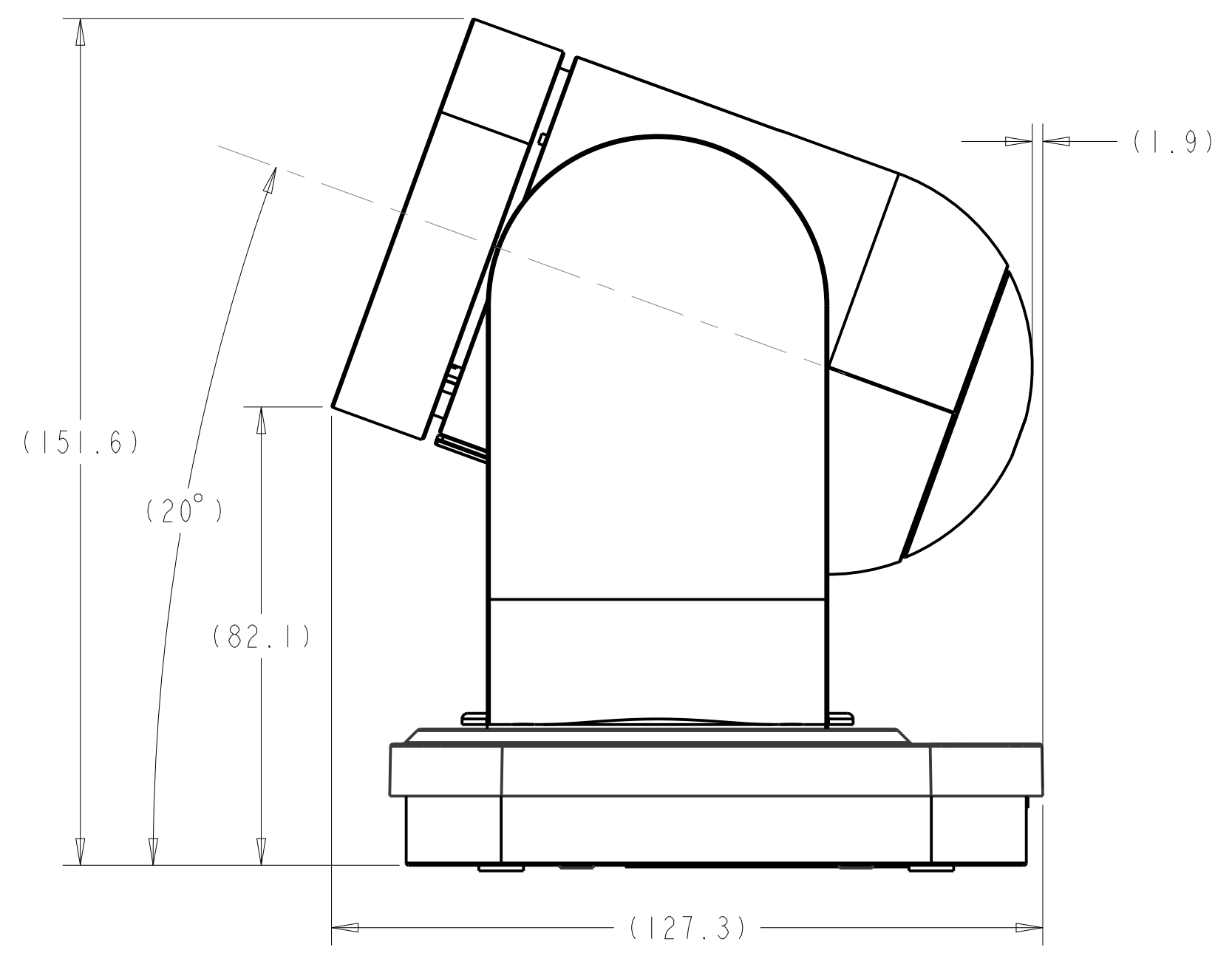
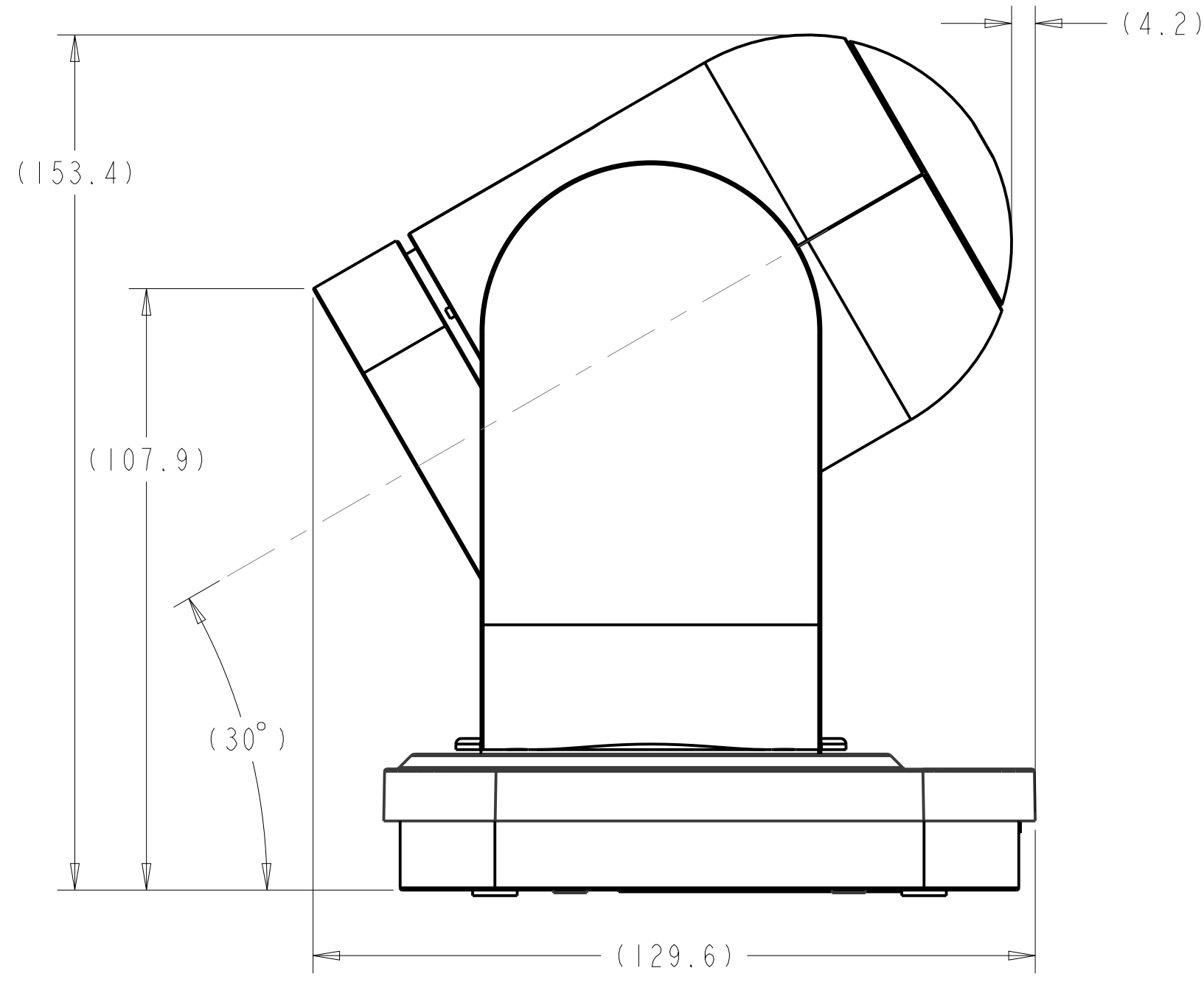
REVISIONS			
REV	DESCRIPTION	DATE	APPROVED
X4	ADDED WIDE ANGLE LENS CONFIGURATION	29-AUG-13	



# STANDARD LENS CONFIGURATION

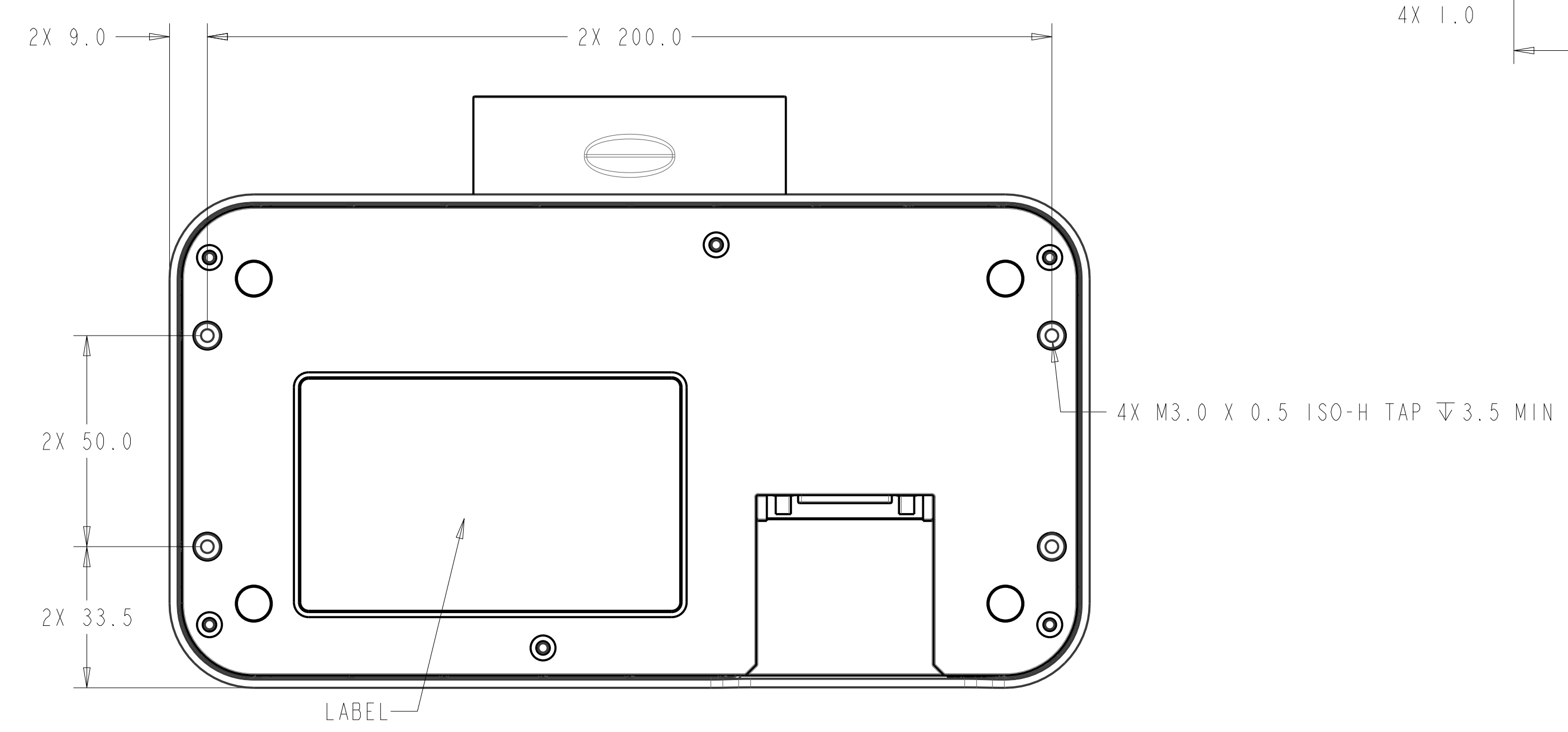
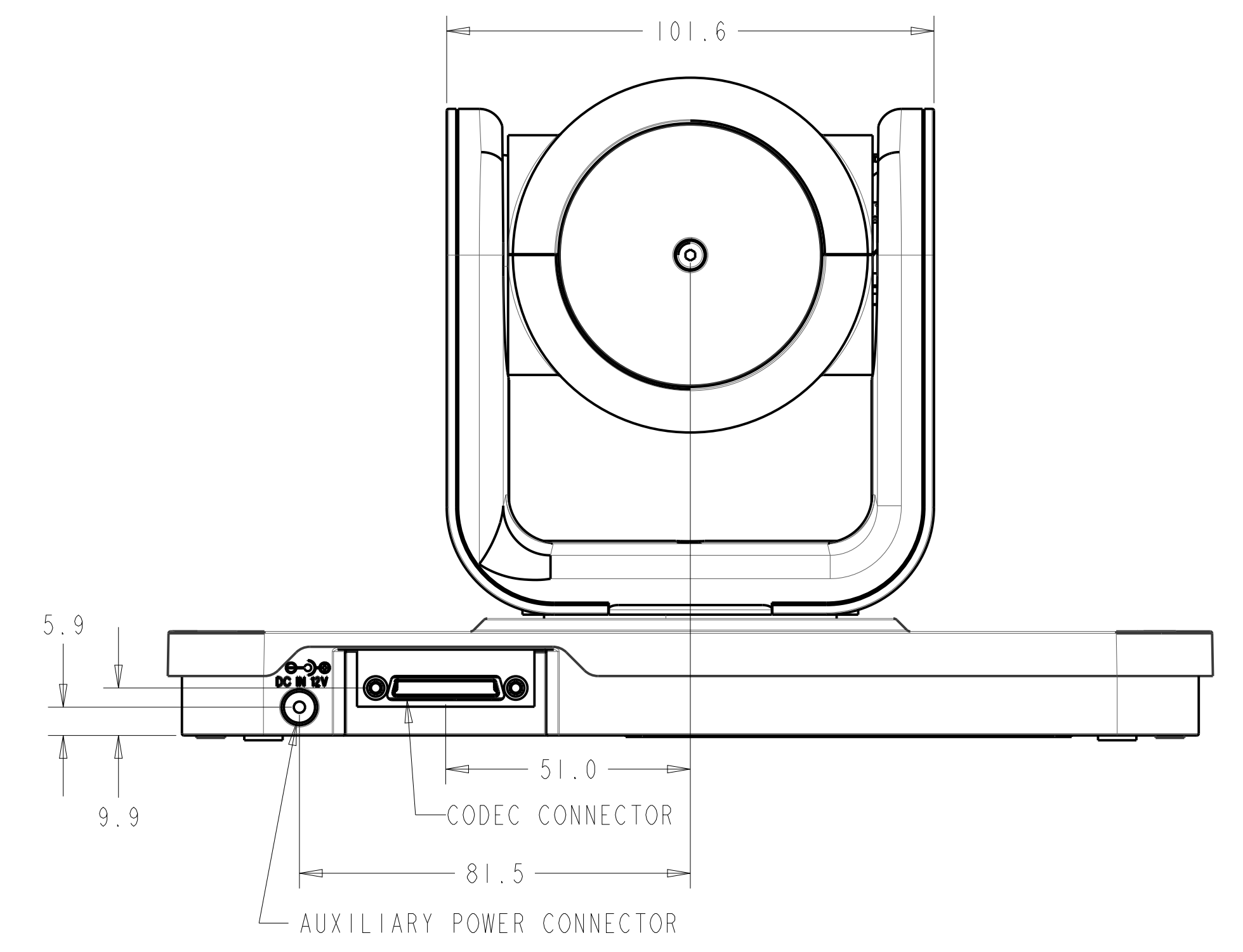
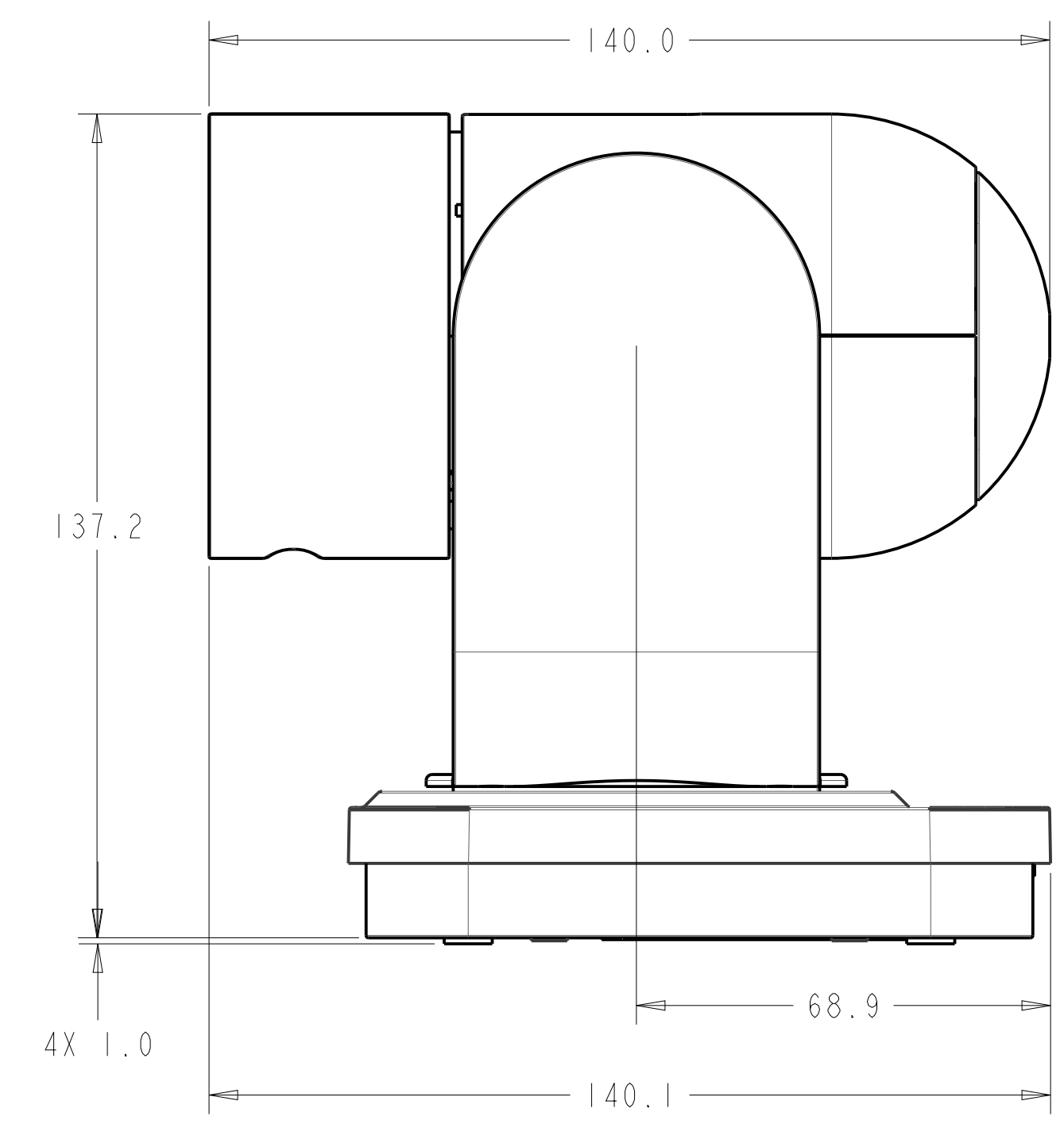
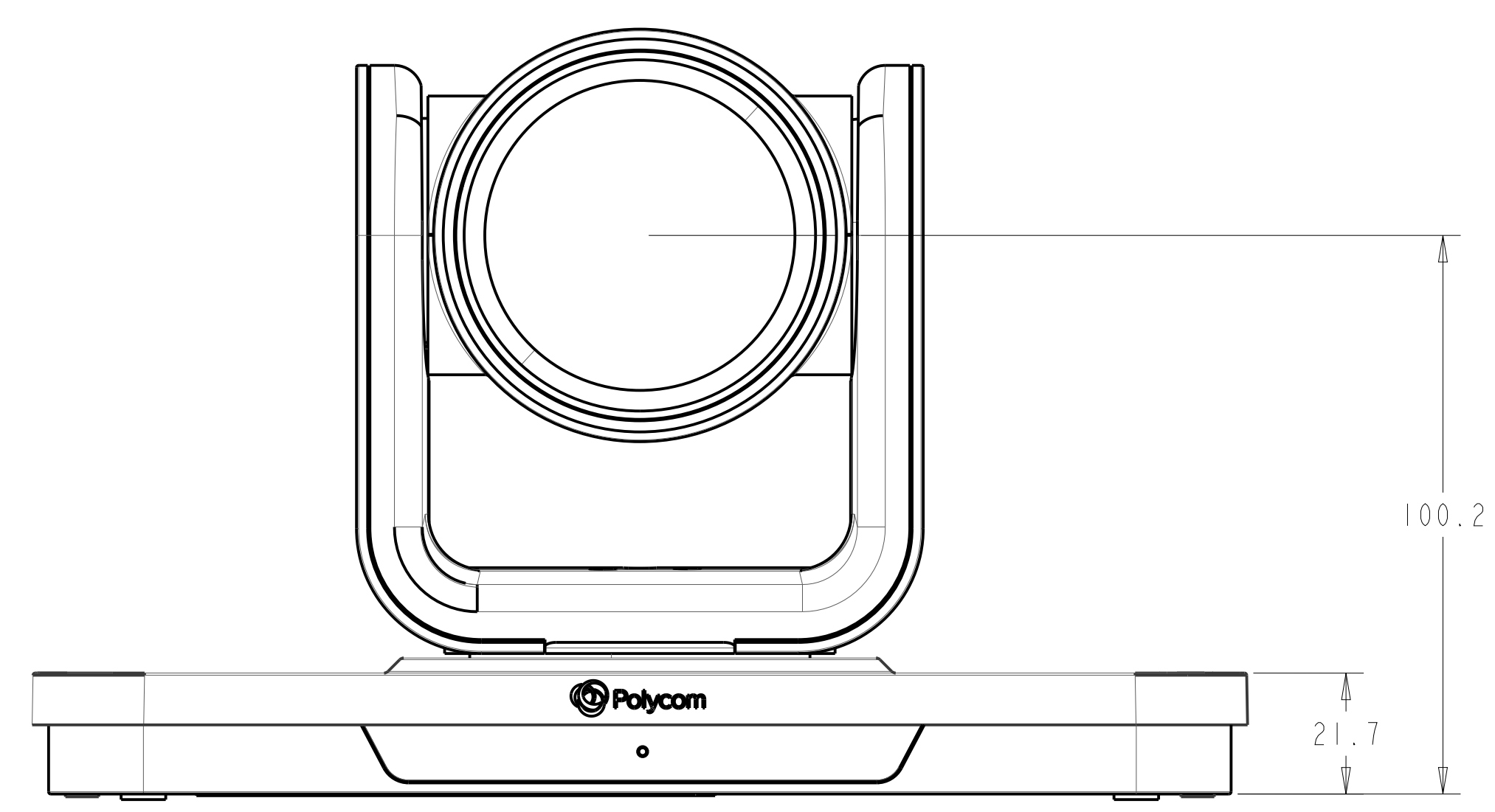
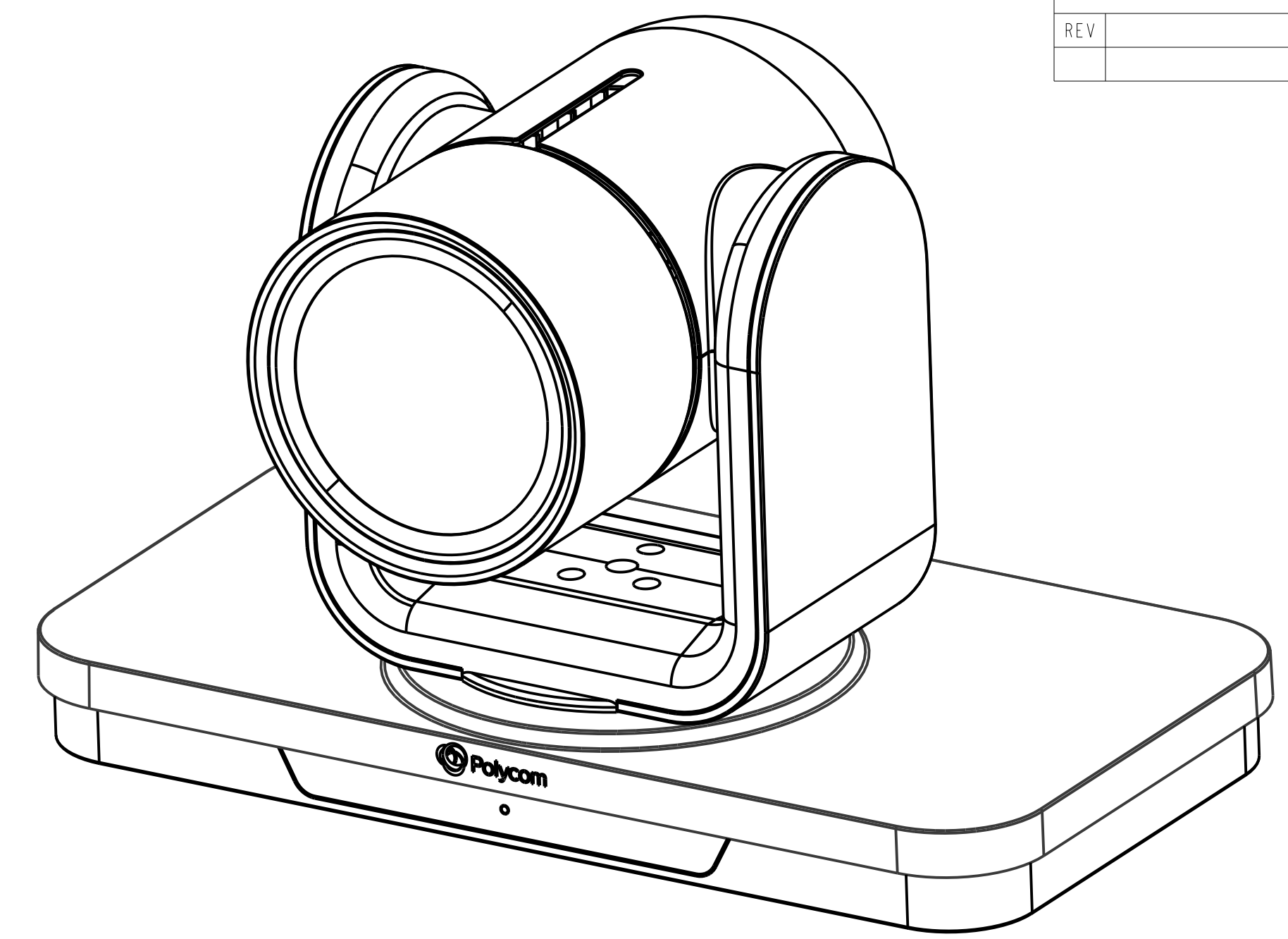
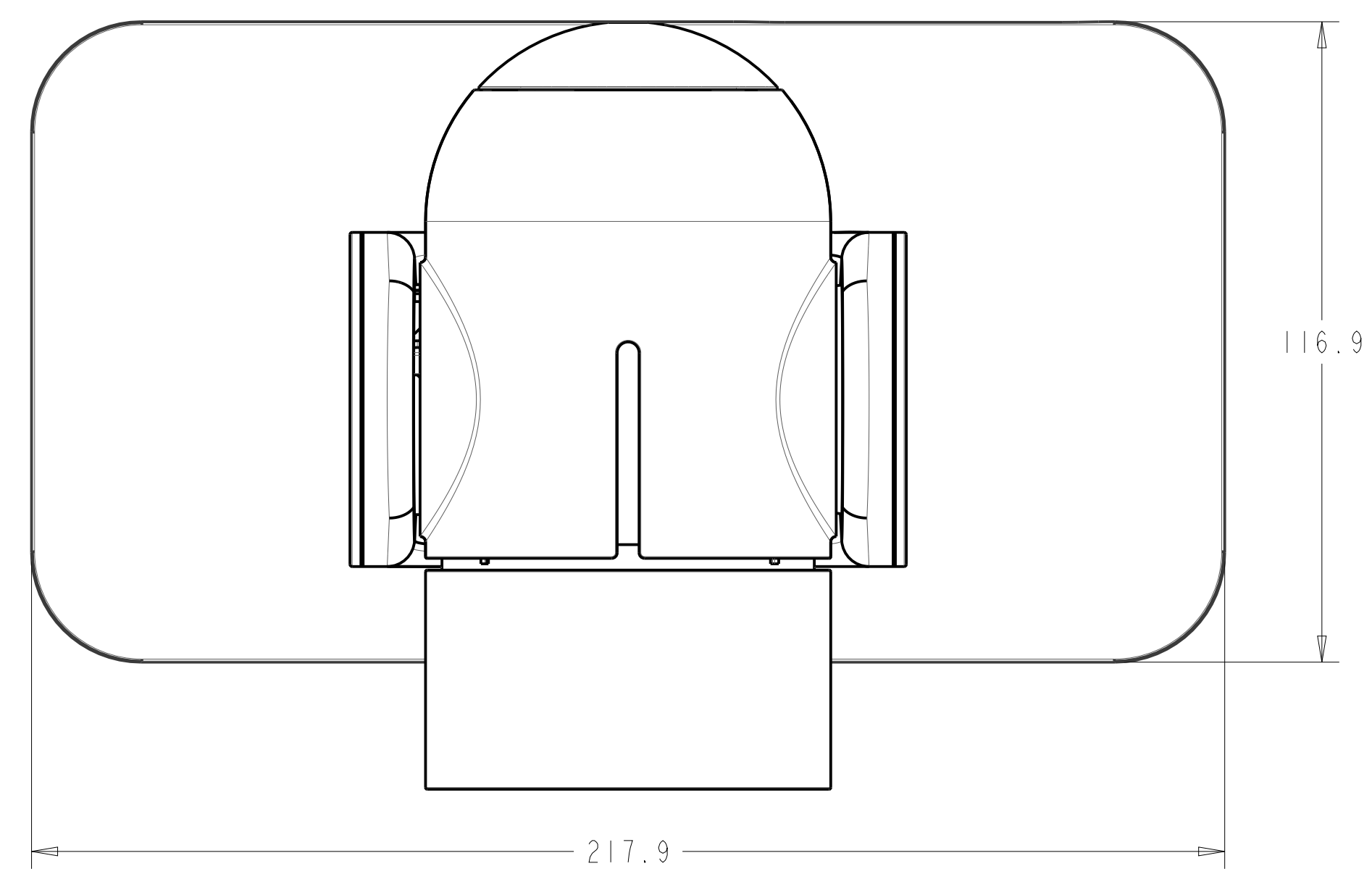
<p>THESE DRAWINGS AND SPECIFICATIONS ARE THE EXCLUSIVE PROPERTIES OF POLYCOM CORPORATION, ISSUED IN STRICT CONFIDENCE AND SHALL NOT, WITHOUT THE PRIOR WRITTEN PERMISSION OF POLYCOM CORPORATION BE REPRODUCED, COPIED, OR USED FOR ANY PURPOSE WHATSOEVER EXCEPT THE MANUFACTURE OF ARTICLES FOR POLYCOM CORPORATION.</p>	MATERIAL:	<p>UNLESS OTHERWISE SPECIFIED UNITS ARE IN MILLIMETERS. TOLERANCES ARE:</p> <p>FRACTION    DECIMALS    ANGLES</p> <p>SEE NOTES                    ±</p>	<p>MATERIAL FINISH NOTED AS APPLICABLE</p> <p>THIRD ANGLE PROJECTION</p>		<p><b>Polycom</b></p> <p>TITLE: DIMENSIONAL DWG, MPTZ 10/11 CAMERA</p>
	FINISH:		<p>APPROVALS</p> <p>DATE: Mar-22-13</p>	<p>APPROVALS</p> <p>DATE: Mar-22-13</p>	
	<p>CAD INFORMATION</p> <p>DWG NAME:</p> <p>REF OBJECT:</p> <p>PROJECT:</p> <p>SUBPROJECT:</p> <p>USER:</p>	<p>DEVIATION FROM INTENDED SHAPE (FLATNESS, ROUNDNESS, SQUARENESS, ETC.) MUST BE WITHIN STATED DIMENSIONAL TOLERANCES.</p>	<p>APPROVALS</p> <p>DATE:</p>	<p>APPROVALS</p> <p>DATE:</p>	<p>SIZE DIVISION: D</p> <p>DWG. NO.: MPTZ 10/11</p> <p>REV.: X4</p>
	<p>SCALE: 1:1000</p>		<p>DO NOT SCALE DRAWING</p>		<p>SHEET: 1 OF 4</p>

REVISIONS			
REV	DESCRIPTION	DATE	APPROVED
	SEE SHEET 1		



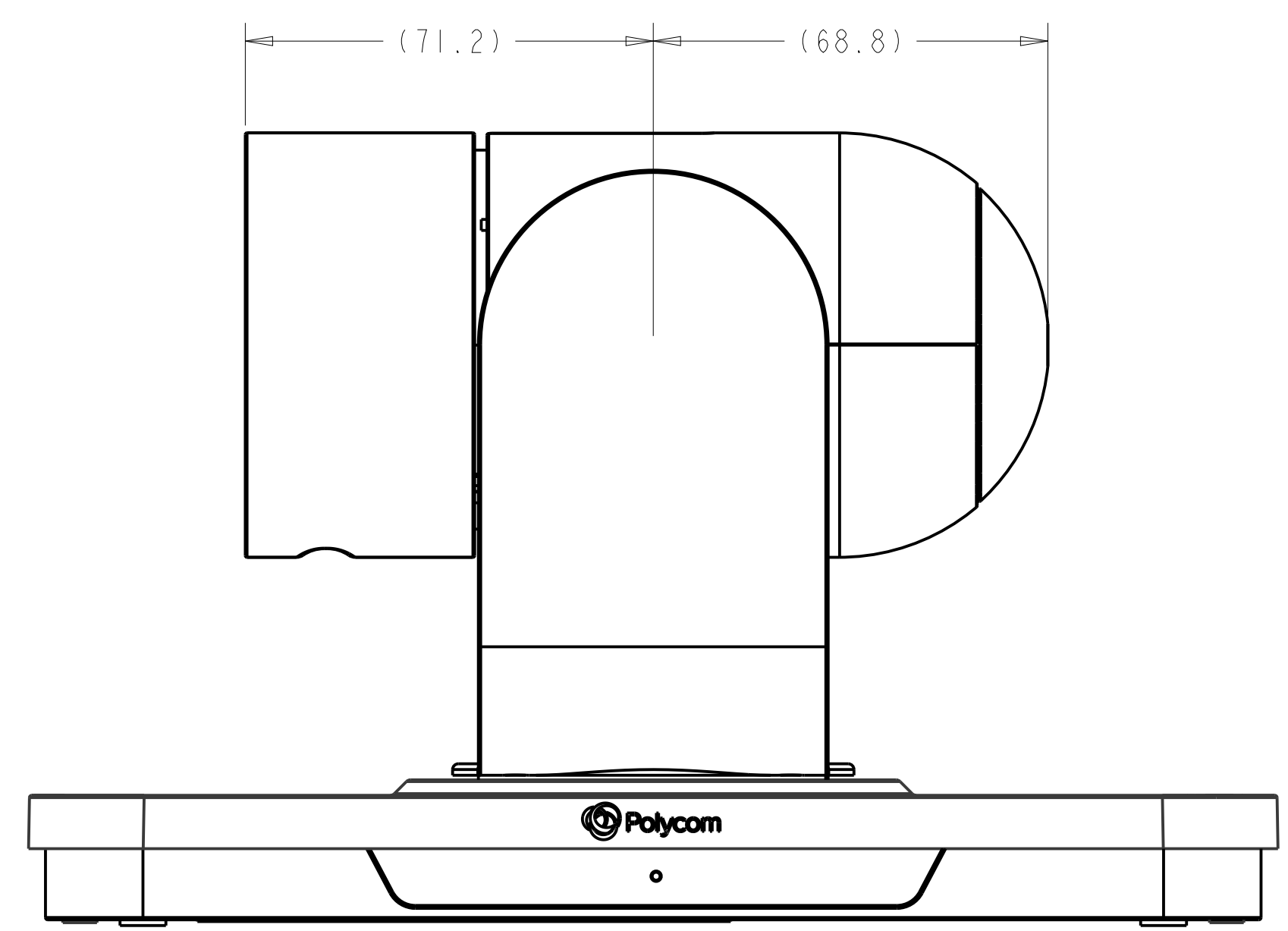
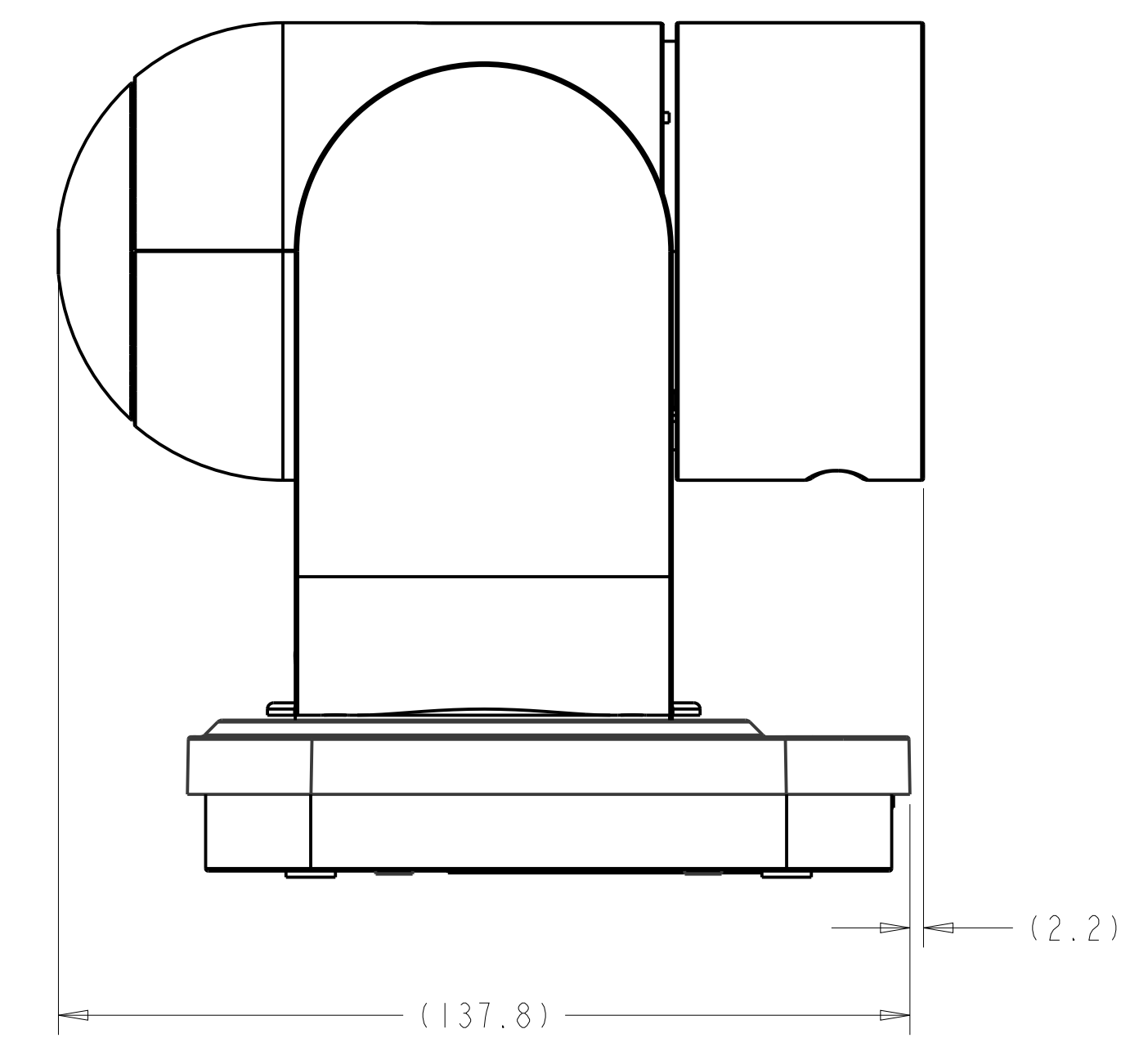
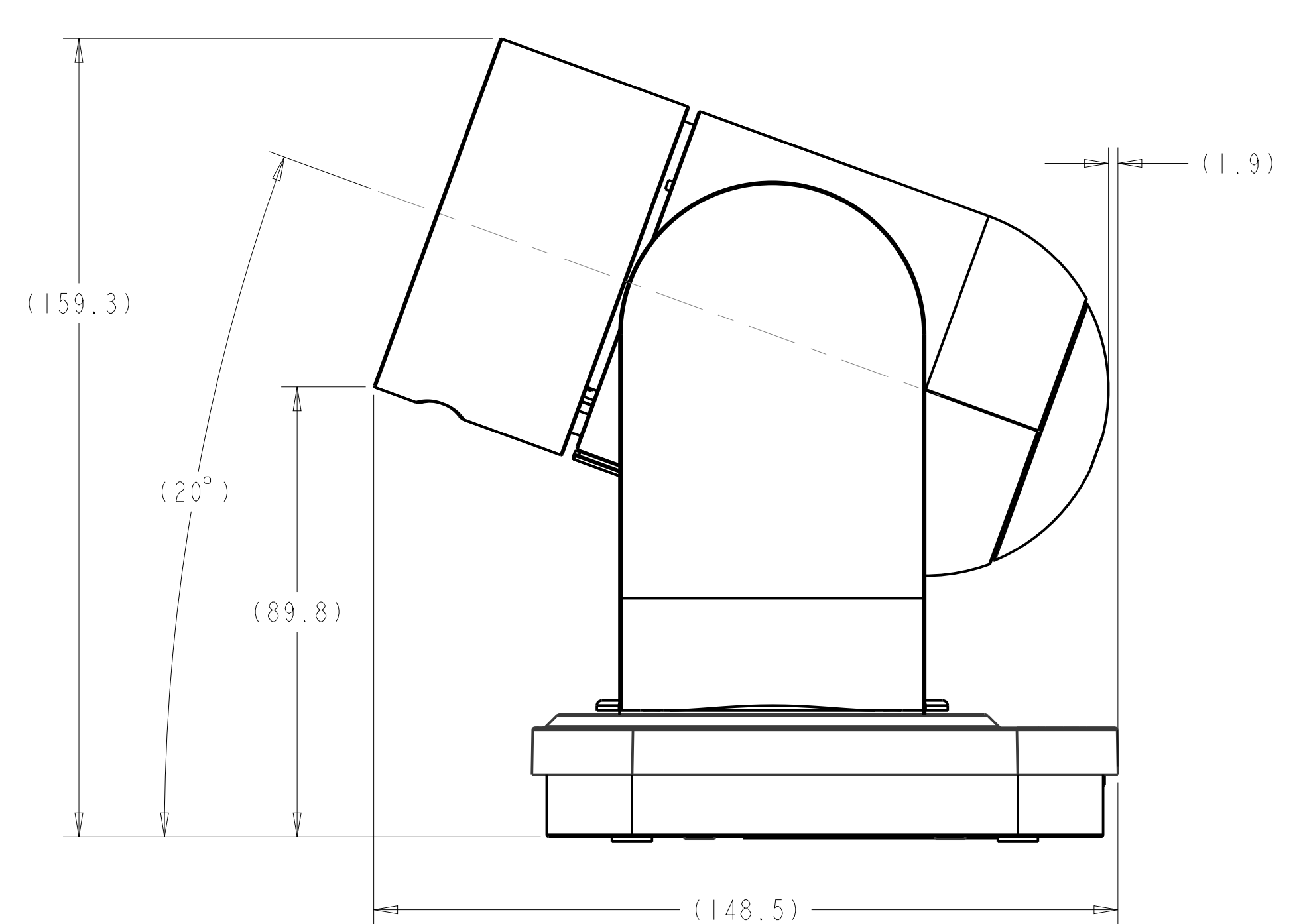
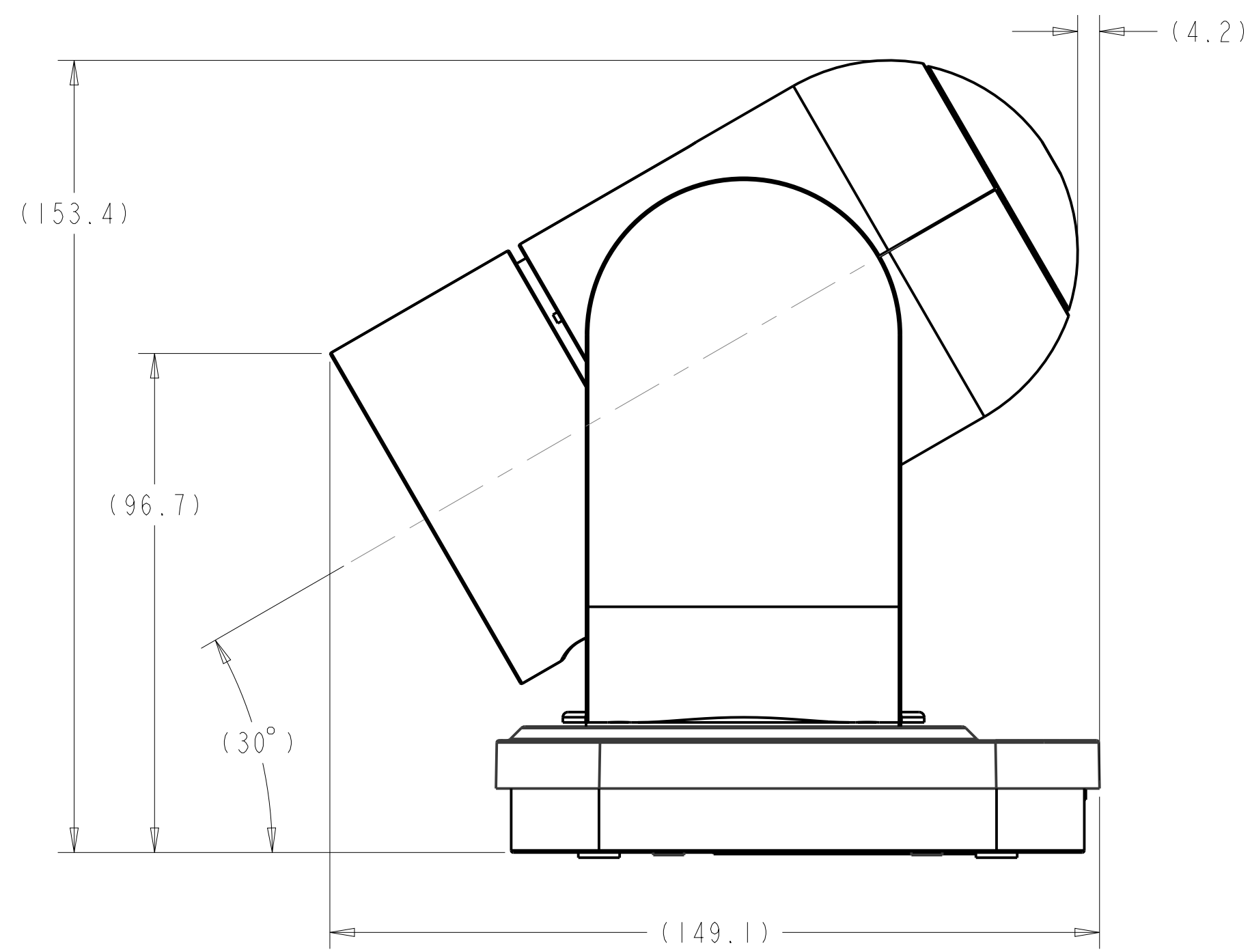
# STANDARD LENS CONFIGURATION

REVISIONS			
REV	DESCRIPTION	DATE	APPROVED
	SEE SHEET 1		



# WIDE ANGLE LENS CONFIGURATION

REVISIONS			
REV	DESCRIPTION	DATE	APPROVED
	SEE SHEET 1		



# WIDE ANGLE LENS CONFIGURATION